



INTENSITY[®]

Refresh your life



ONE WAY CASSETTE

MDV-D18Q1/VN1-D, MDV-D22Q1/VN1-D, MDV-D28Q1/VN1-D,
MDV-D36Q1/VN1-D, MDV-D45Q1/VN1-D, MDV-D56Q1/VN1-D,
MDV-D71Q1/VN1-D.

INSTALLATION MANUAL



intensity.mx



MAN-IC1-1015

INSTALLATION PRECAUTION.....	1
ACCESSORIES.....	1
UNIT STRUCTURE INTRODUCTION.....	2
INSTALLATION SPACE.....	2
INDOOR UNIT INSTALLATION	2
DRAINPIPE INSTALLATION.....	5
INSTALL THE CONNECTING PIPE.....	6
REFRIGERANT PIPE CONNECTION.....	7
WIRING.....	8
CONTROL OPERATION	11
TEST OPERATION.....	13

1. INSTALLATION PRECAUTION

- Please read this installation manual carefully before installation.
- The air conditioner must be installed by qualified service person.
- If the supply cord is damaged, it must be replaced by the manufacturer or its service agent or a similarly qualified person in order to avoid a hazard.
- When installing the indoor unit, please follow this manual as strictly as possible.
- Check the piping is accomplished perfectly before electrifying the unit.
- This manual is subject to changes due to technological improvement without further notices.



NOTE

The installer should illustrate to users how to correctly use and maintain the appliance and remind the users carefully reading and keeping both installation manual and owner's Manual after the installation.

2. ACCESSORIES

Table.2-1

Name	Q'ty	Outline	Function
Indoor unit installation manual	1	This manual	(Please hand to user)
Installation paper plate	1		For installing the suspender and cutting the ceiling
Protection sleeve for refrigerant inlet and outlet pipes	2		For heat insulation of the pipe connections
Fastening belt	10		For fastening
Flexible drainage pipe	1		For the connection between the air-conditioner and the drainage pipe
Clasp	1		For fastening the flexible drainage pipe
Big gasket	8		Necessary fastener for hanging the air-conditioner
Screw	8		Necessary fastener for hanging the air-conditioner
Panel installation bolt	6/7		For installing the panel to the air conditioner Model18-36:6 Model45-71:7
Operation manual for remote controller	1		Please hand to the user
Remote controller	1		For controlling the remote controller
Remote controller support	1		For placing the remote controller
Battery	2		Battery for remote controller
Cross-recessed countersunk head self tapping screw	2		For fixing the remote controller support
Small flathead screwdriver	1		Use for installing the wires and dial codes only for 18-36
Copper	1		Use for pipe connection of engineering installation

- 1 Remote controller holder
- 2 Mounting screw
- 3 Remote controller

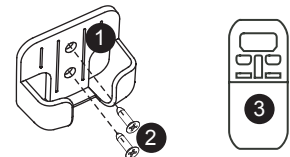


Fig.2-1

- Don't throw the remote controller or give it big impact.
- The remote controller should be in the reception range, and the transmittal part should point to the orientation of indoor unit receptor.
- Before installation, operate the remote controller to determine its location in a reception range.
- Keep the remote controller at least 1m apart from the nearest TV set or stereo equipment. (It is necessary to prevent image disturbances or noise interferences.)
- Do not install the remote controller in a place exposed to direct sunlight or close to a heating source, such as a stove.
- Note that the positive and negative poles are right positions when loading batteries.

3. Unit structure introduction

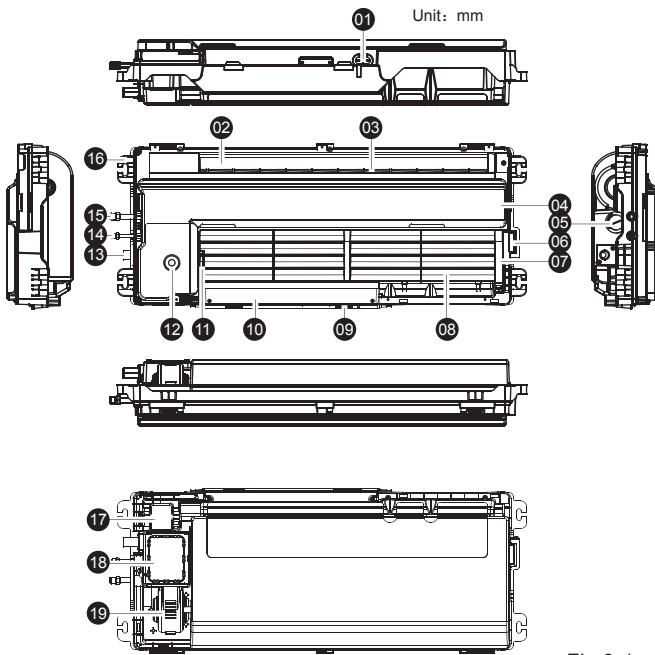


Fig.3-1

Fig.3.1 There're 2 kinds of body construction of 18-71 unit models, but the structures are similar. The Figure shown above is the structure of 18-36.

01	Access port for power and communication wires
02	Air outlet
03	Rotor
04	Main water basin
05	Cover of water level test hole
06	Buckle hole 2 of panel
07	Sub-water basin
08	Air return port
09	Maintenance hook for electric control box (2 pcs):Model18-36
10	Electric control box
11	Buckle hole 1 of panel
12	Water drainage plug
13	Condensate water drainage port Φ 25
14	Pipe of liquid side Φ 6.35
15	Pipe of gas side Φ 12.7
16	Installation lifting lug (4 pcs)
17	Water pump box
18	Valve box
19	Motor box

4. INSTALLATION SPACE

- Please avoid installing in the following places
 - A place with flammable gas or material.
 - A saline place such as a seashore vicinity
 - A place with sulphur gas.
 - A place with oil gas, such as kitchen.
 - A place with high-humidity air.
 - An unbearable place.
 - A place where high-frequency waves are generated.
- The appliance shall not be installed in the laundry.
- Please comply with the related national electric standard to make electric insulation for construction and metal parts of air-conditioner.
- Please choose the place where the ventilation is good.
- Ceiling space requires ≥ 300 mm;
- The installation height of the unit can not higher than D m, or it will affect the operation effect.

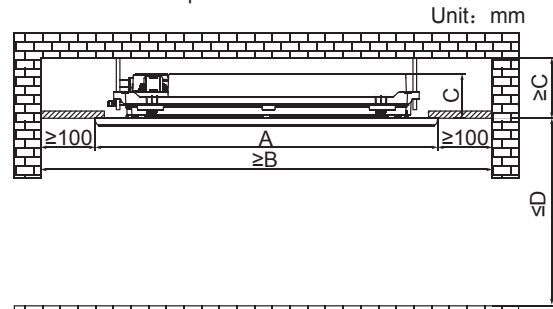


Fig.4-1

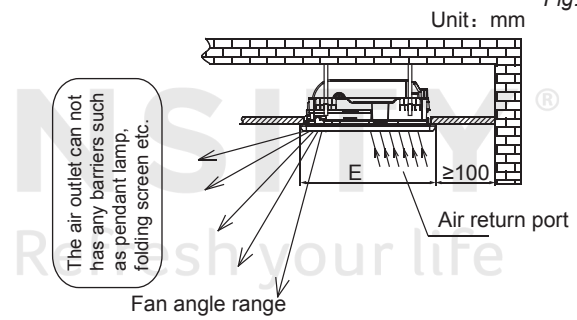


Fig.4-2

Model No.	18-36	45-71
A	1180	1350
B	1380	1550
C	153	189
D	3200	4000
E	465	505

5. INDOOR UNIT INSTALLATION

- Please use the installation paper plate to make sure the positions of the installation screws.

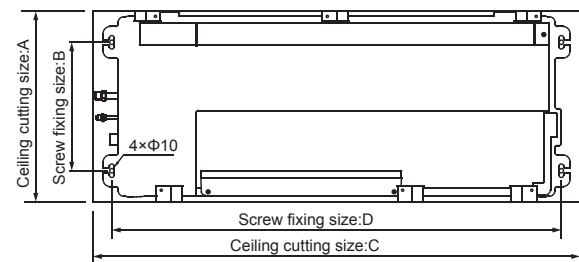
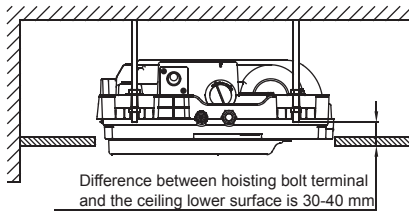


Fig.5-1

Model No.	18-36	45-71	Unit: mm
A	430	470	
B	290	300	
C	1100	1290	
D	1015	1235	

■ Please accord to the follow figure's requirements to design the length of the suspender bolt.



- Please install with $\Phi 10$ hanging screw bolts.
- The handling to the ceiling varies from the constructions, consult the construction person for the specific condition.
- The size of the ceiling to be handled----- Do keep the ceiling flat. Consolidate the roof beam for possible vibration.
- Cut off the roof beam.
- Strengthen the place that has been cut off, and consolidate the roof beam.
- Connect wires and pipes inside the ceiling after the air conditioner is hanged.
- After the selection of installation location, position the refrigerant pipes, drain pipes, indoor & outdoor wires to the connection places before hanging up the machine.
- The installation of hanging screw bolts.
- Wooden construction
Put the square timber over the roof beam, then install the hanging screw bolts.

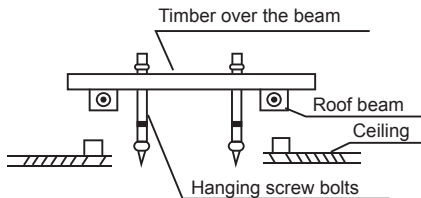


Fig.5-2

- New Concrete Bricks
Inlaying or embedding the screw bolts.

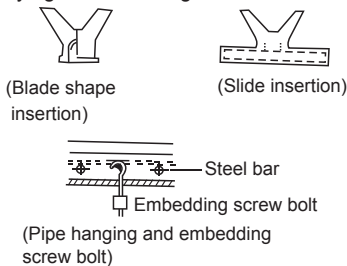


Fig.5-3

- For finished concrete bricks
Install the hanging hook with expansible bolt into the concrete deep to 45~50mm to prevent loose.

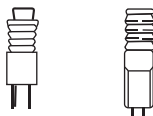


Fig.5-4

- Steel roof beam structure
Install the supporting angle steel.

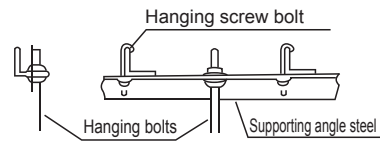


Fig.5-5

- Hoisting the indoor unit
take 18-36 as an example, operation method of 45-71 are the same.

- Adjust the height of nut 2, the height difference of the upper gasket surface and the lower ceiling surface satisfies the following requirements:
18-36 model:A=70mm,45-71 model: A=75mm

Hoisting the unit on the suspender bolt as the Fig5-7 display, use the level gauge to level-out the length and width directions, and it needs to repeatedly adjust four screw 2 of the suspender during the process. It might occur this situation: under making sure the unit level, the difference of four gasket 2 of the hoisting bolt and the lower surface of the ceiling will be discorded, can not be Amm. At this time it should make sure the level of the unit body, and move the whole unit up and down, and make the four differences try to be close to Amm;

- Finish adjusting the unit height and the level, fasten the screw 1 of the four suspenders, and make the unit fixed reliably.

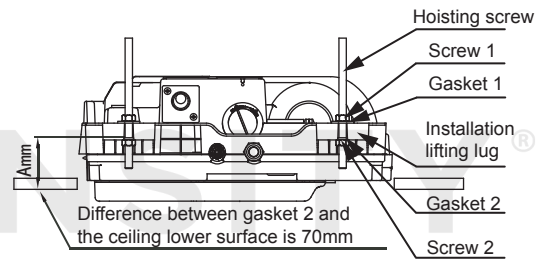


Fig.5-6

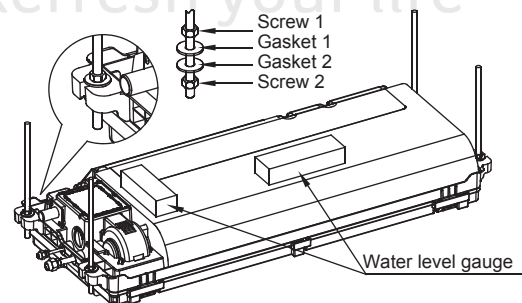


Fig.5-7

- Cutting the ceiling
(take 18-36 as an example, operation method of 45-71 are the same.)

- Fold the installation paper plate. Caution: Folding direction is bulged out from the no printing content side;
- Use the panel fixing screws to fix the installation paper plate under the indoor unit;
- Make the ceiling opening size be the same with the outboard size of the model paper;
- Make sure the difference between the lower sides of the ceiling and model paper plate to be about 24mm, if not fit the requirements then means the hoisting height has problem. Please back to the above steps to re-adjust.

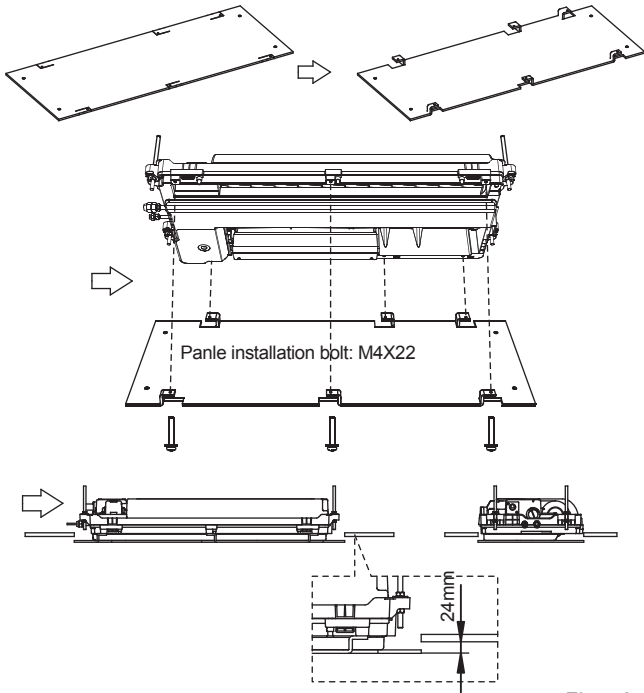


Fig.5-8

■ Panel component installation

(take 18-36 as an example, operation method of 45-71 are the same.)

- Remove the air return grille, filter screen, screw hidden cover.
- As the grille switch arrow indication direction to pull the lock catch, remove the air return grille.
- Pull the buckle as figure display, remove the filter screen.
- Open the air leading bar, remove three screw hidden covers.
- Take down the air return grille, filter screen, screw hidden cover and please safely keep them, do not lose, dirt and damage them.

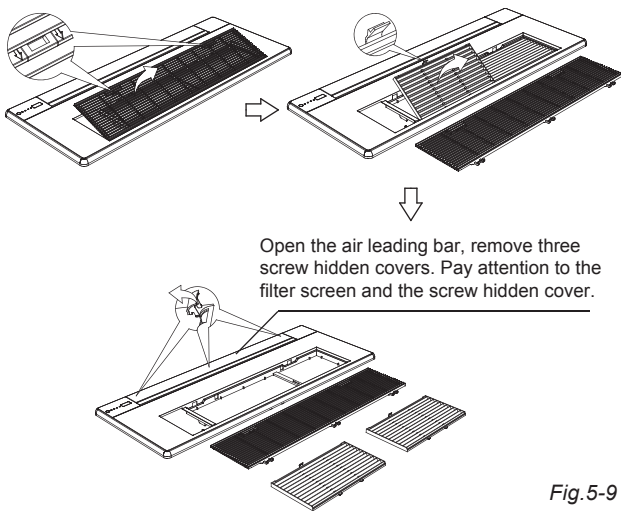


Fig.5-9

- Install the panel component, and wiring (take 18-36 as an example, operation method of 45-71 are the same.)
- Two buckles on the panel component are used for assisting the panel installation, the installing method of the buckle as Fig.5.10 display.
- Panel component wiring: open the electric control panel, connect the wiring terminal of the control display box and the motor connecting terminal of the air leading bar as the figure display to the main control panel.

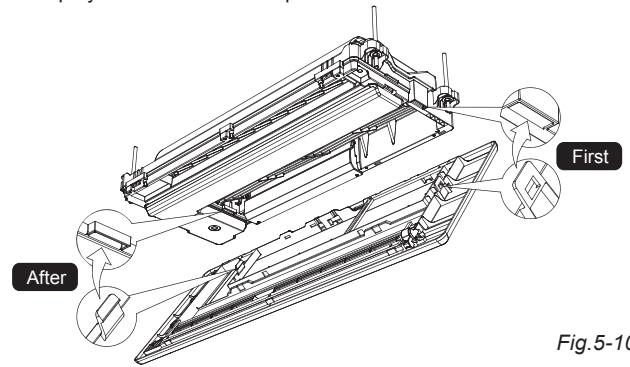


Fig.5-10

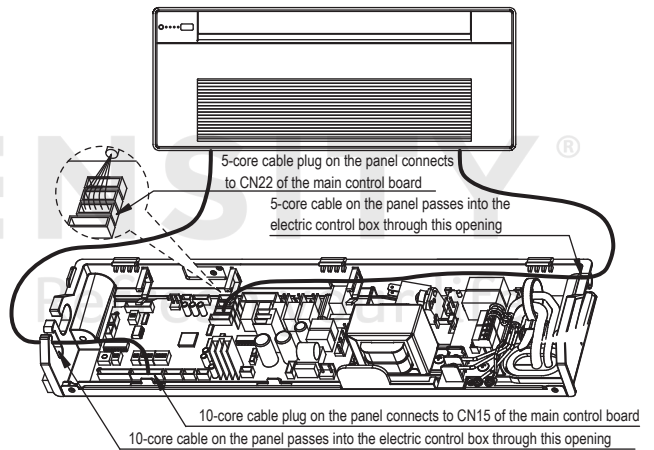


Fig.5-11 (18-36 model)

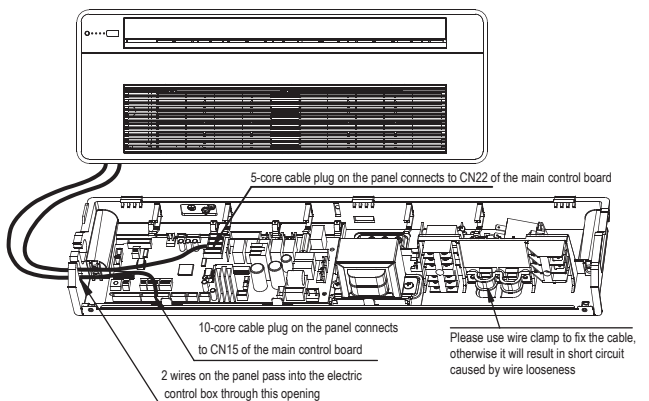


Fig.5-12 (45-71 model)

- Install the screw
- Before installation please check the connecting cable between panel and air conditioner whether has clamped, if clamped, the panel will be unfairness after fastening the screws and damage the wires.

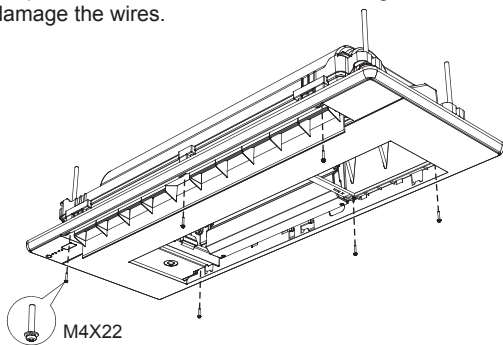


Fig. 5-13

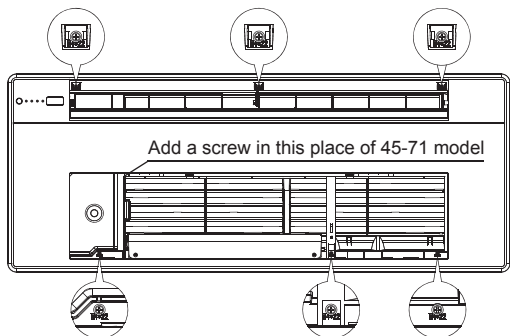


Fig. 5-14

- Install the screw hidden cover

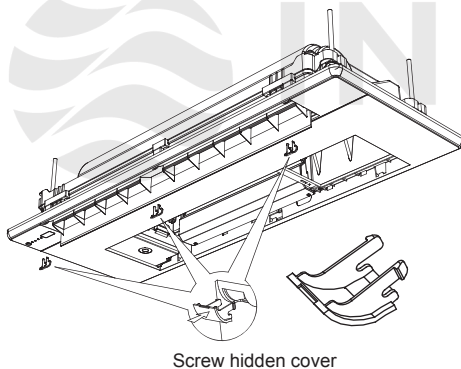


Fig. 5-15

- Install back the filter screen and the air return grille

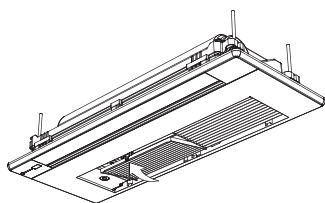


Fig. 5-16

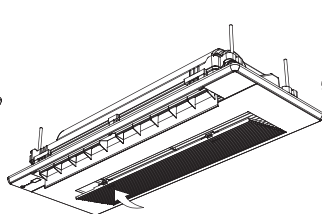


Fig. 5-17

- Panel component wiring must accord to the figure display, otherwise will cause the abnormal operation. Connecting wire installation must follow the figure display, otherwise will cause the electric control box cover can not close, if there are wire clamped will cause air leakage and condensation of the panel and so on.
- Display part of the panel should be installed at the pipe side of the unit body.
- There are 6/7 panel installation screws, after confirmation then to be fastened.

6. DRAIN PIPE INSTALLATION

When connecting the pipe, please use the sealing material and pipe glove.



CAUTION

- The drain pipe of indoor unit must be heat insulated, or it will condense dew, as well as the connections of the indoor unit.
- Make sure the connections is no leakage.
- With the connection part to the indoor unit, please note not to impose pressure on the side of indoor unit pipes.
- When the declivity of the drain pipe downwards is over 1/100, there should not be any winding.
- The total length of the drain pipe when pulled out breadthwise shall not exceed 20m. When the pipe is over long, a bracket must be installed to prevent winding.
- Refer to the following figures to install the pipes.

- Drainage system type
- Centralized drainage of several air conditioners

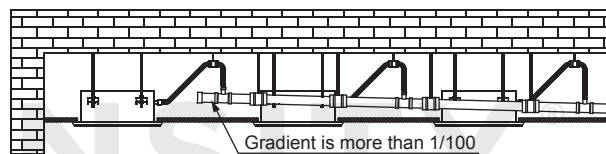


Fig. 6-1

- Single air conditioner drainage

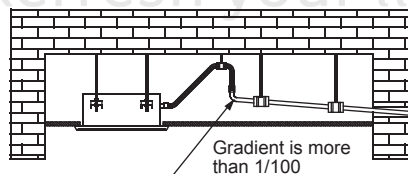


Fig. 6-2

- Drainage system design requirement

- Between climbing section length (L) and pipe inner diameter (d) should satisfy the relation: $L \cdot d \leq 650000$ (L and d units are mm). that is water in the climbing section can not more than 500 ml, otherwise will cause poor drainage, flowing water leakage problems.

- It must accord to the requirement to install the water pipe. Suggest using water pipe with the inner diameter 25mm, and the climbing length is not over than 1m.

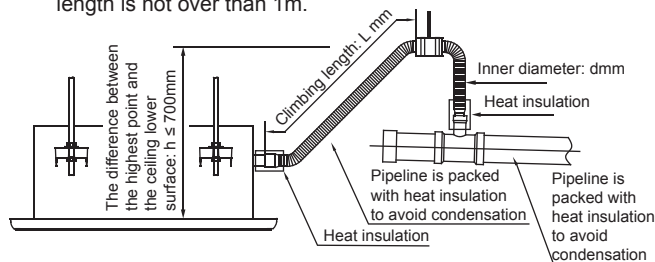


Fig. 6-3

- Please according to the tube hardness to choose proper support density, do not appear obvious dropping and deformation situation. Dropping part will save the water and lead to poor drainage and abnormal noise.

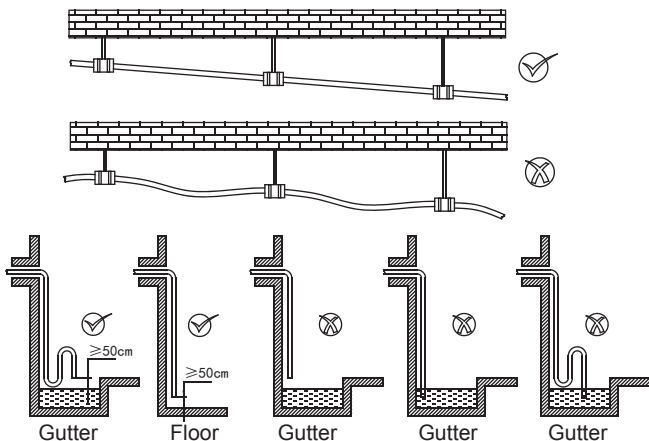


Fig. 6-4

■ Drainage system design requirement

- Drainage pipe can use PVC pipe, recommended to use the pipe of 25 mm inner diameter, water pipe should has thermal insulation layer.
- The user can purchase the pipe of suitable length in the dealer place or in a local after-sale service center place, or directly to purchase in the market.
- Insert the drainage pipe port to the condensate water outlet, and use the outlet clamp (accessory) to fasten the drainage pipe and the thermal insulation sleeve.
- The pipes are needed to be packed with insulation heat preservation material. The connection of water pipe and air conditioner should use insulating sheath package, and tighten tightly to prevent water condensation to damage the ceiling decoration.
- To avoid water poured into the air conditioner inside when the unit operation stops, drainage pipe should be down dipped to outdoor side (drainage side), gradient is more than 1/100, drainage pipeline can not occur bending and dropping save water phenomenon, otherwise it will cause abnormal noise.
- During connecting pipe, please do not force pulling the drainage pipe which will cause the nozzle loose, and at the same time shall set up enough strong points, in order to avoid the drainage pipe drops.

■ Drainage test

- After the unit installation then do the trial run and water drainage test. Power on the indoor and outdoor unit; operate the cooling mode and do the water drainage test.
- Open the cover of water test hole, use bottle or flexible pipe to fill water (500ml/min.), and then to observe whether has water drain out from the water drainage port. Check whether the pipeline has leakage and places which not pack with thermal material, and improve the parts with problems.
- After finishing water drainage and power off the unit, install back the cover of water test hole.

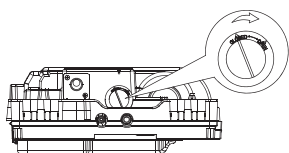


Fig. 6-5

7. INSTALL THE CONNECTING PIPE

- The connective length of indoor and outdoor piping and those height difference requirements.

- Connect to different outdoor units with different connective length and height difference requirements. Please refer to Indoor Unit Installation Manual for detail.

- Do not let air, dust, or other impurities fall in the pipe system during the time of installation.

- The connecting pipe should not be installed until the indoor and outdoor units have been fixed already.

- Keep the connecting pipe dry, and do not let moisture in during installation.

- The Procedure of Connecting Pipes
Measure the necessary length of the connecting pipe, and make it by the following way.

- Connect the indoor unit at first, then the outdoor unit.

- ① Bend the tubing in proper way. Don't harm them.
- ② Daub the surfaces of the flare pipe and the joint nuts with frozen oil, and wrench it for 3~4 rounds with hands before fasten the flare nuts. (Refer to Fig.7-1)
- ③ Be sure to use two wrenches simultaneously when you connect or disconnect the pipes.

- The stop valve of the outdoor unit should be closed absolutely (as original state). Every time you connect it, first loosen the nuts at the part of stop valve, then connect the flare pipe immediately (in 5 minutes). If the nuts have been loosened for a long time, dusts and other impurities may enter the pipe system and may cause malfunction later. So please expel the air out of the pipe with refrigerant before connection.
- Expel the air (Expel refer to the air) after connecting the refrigerant pipe with the indoor unit and the outdoor unit. Then fasten the nuts at the repair-points.

■ Notices For Benable pipe.

- The bending angle should not exceed 90°
- Bending position is preferably in the bendable pipe. The larger the better it is .
- Do not bend the pipe more than three times.

■ Bend the connecting pipe of small wall thickness.

- Cut out a desired concave at the bending part of the insulating pipe.
- Then expose the pipe(cover it with tapes after bending).
- To prevent collapsing of deforming, please bend the pipe at its biggest radius.
- Use bender to get a small radius pipes.

- Use the market brass pipe.
Be sure to use the same insulating materials when you buy the brass pipe. (More than 9mm thick)

- The temperature of refrigerant circuit will be high, please keep the interconnection cable away from the copper tube.

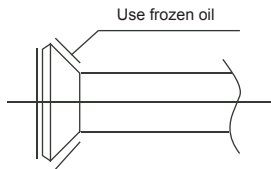
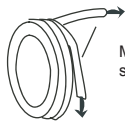


Fig.7-1

Bend the pipe with thumb



Fig.7-2



Make the ends straight

Fig.7-3

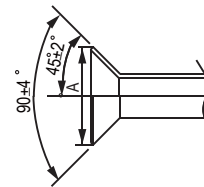


Fig.8-2

Table.8-1

Outside diameter	A(mm)	
	Max	Min
Φ6.4mm	8.7	8.3
Φ9.5mm	12.4	12.0
Φ12.7mm	15.8	15.4
Φ15.9mm	19.0	18.6

■ Locate The Pipe

- Drill a hole in the wall (suitable just for the size of the wall conduit, 90mm in general), then set on the fittings such as the wall conduit and its cover.
- Bind the connecting pipe and the cables together tightly with binding tapes. Do not let air in, which will cause water leakage by condensation.
- Pass the bound connecting pipe through the wall conduit from outside. Be careful of the pipe all ocaation to do no damage to the tubing.

■ Connect the pipes.

- Then, open the stem of stop valves of the outdoor unit to make the refrigerant pipe connecting the indoor unit with the outdoor unit fluently flow.
- Be sure of no leakage by checking it with leak detector or soap water.
- Cover the joint of the connecting pipe to the indoor unit with the sound proof/insulating sheath (fittings), and bind it well with the tapes to prevent leakage.

■ Fasten the nut

- Put the connecting tubing at the proper position, wrench the nuts with hands then fasten it with a wrench. (Refer to Fig.8-3)
- Too large torque will harm the bellmouthing and too small will cause leakage. Please determine the torque according to Table.8-2.

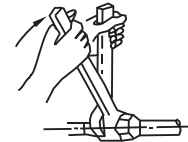


Fig.8-3

Table.8-2

Tubing size	Torque
Φ6.4mm	14.2~17.2 N.m (144~176 kgf.cm)
Φ9.5mm	32.7~39.9 N.m (333~407 kgf.cm)
Φ12.7mm	49.5~60.3 N.m (504~616 kgf.cm)
Φ15.9mm	61.8~75.4 N.m (630~770 kgf.cm)

■ Material and Size of the Pipes

Three length (3m,5m,10m) of pipes are available to purchase.

Table.8-3

Pipe Material	Copper Pipe for Air Conditioner	
Size(mm)	Gas side	Φ12.7
	Liquid side	Φ6.4
	Gas side	Φ15.9
	Liquid side	Φ9.5

8. REFRIGERANT PIPE CONNECTION

■ Flaring

- Cut a pipe with a pipe cutter.
- Insert a flare nut into a pipe and flare the pipe.

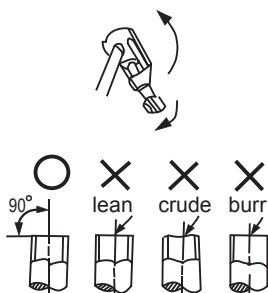


Fig.8-1

■ The necessary filling amount of refrigerant

- When the length of the one-way pipe is under 5m, the quantity of filling fluorine will be subject to the nameplate.
- When the length of the one-way pipe is over 5m, the quantity to be added is as follows:
Capacity≤8000W: 0.03x(L-5) (Unit: kg)
Capacity≥9000W: 0.065x(L-5) (Unit: kg)
L: The length of the pipe
- Please record the quantity added and store it carefully for future maintenance.

- Air Purging
 - Use a vacuum pump, to vacuum from the gas side refrigerant adding mouth of the outdoor unit.
 - Don't use the refrigerant of the outdoor unit to do the vacuum. (A certain volume of refrigerant had been added into the outdoor unit in factory.)
- Open/Close the valves
 - Open/Close the spools or the valves of outdoor unit with a f5mm hexagon spanner.
- Leakage Test
 - Test if there is any leakage on the connections of the piping with soap water.
- Heat Insulation
 - Heat insulation for the gas and liquid pipe separately.
 - Heat insulation should be fully and carefully done, because the liquid side pipe and gas side pipe are easy to condense water due to low temperature when cooling.
 - Heat proof above 120°C material should be used at the gas side pipe.
 - The indoor unit connection parts should be no-gap heat-insulated with the attached heat insulation materials.

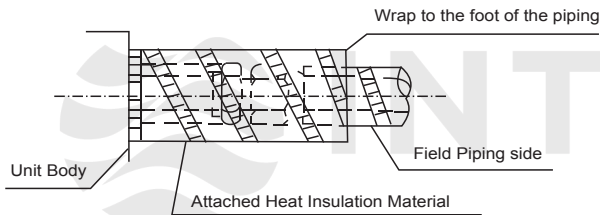


Fig.8-4

9. WIRING

- Attaching wiring
 - The air conditioner should use separate power supply with rated voltage.
 - The external power supply to the air conditioner should have ground wiring, which is linked to the ground wiring of the indoor and outdoor unit.
 - The wiring work should be done by qualified persons according to circuit drawing.
 - an all-pole disconnection device which has atleast 3mm separation distance in all pole and a residual current device(RCD)with the rating of above 10mA shall be incorporated in the fixed wiring according to the national rule.
 - Be sure to locate the power wiring and the signal wiring well to avoid cross-disturbance and their contact with connecting pipe or stop valve body.
 - The wiring attached to this air conditioner is 10m long. Be sure to prolong it with wiring of the same type and proper length if necessary. Generally, do not twist two wiring together unless the joint is soldered well and covered with insulator tape.
 - Do not turn on the power until you have checked carefully after wiring.
- Indoor unit electric wiring figure
 - The air conditioner should use separate power supply with rated voltage.
 - The external power supply to the air conditioner should have ground wiring, which is linked to the ground wiring of the indoor and outdoor unit.
 - The wiring work should be done by qualified persons according to circuit drawing.

Code	Name
FM	Fan motor
GM	Swinging motor
DM	Water drainage pump
CS	Water level sensor
PMV	Electronic expansion valve
T1	Indoor temp. sensor
T2	Mid-pipe temp. sensor of evaporator
T2B	Outlet temp. sensor of evaporator
XP1-3	Butt connection socket
XS1-3	Butt connection socket
TR	Power transformer

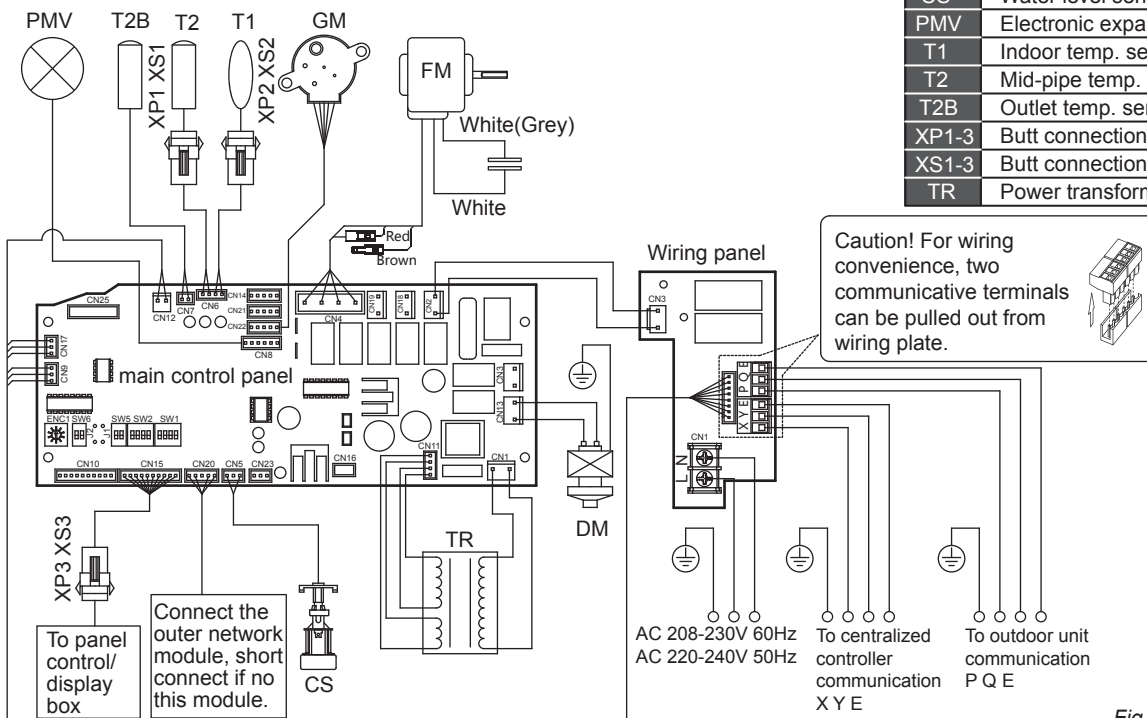


Fig.9-1(18-36 model)

Code	Name
FM	Fan motor
GM1-2	Swinging motor
DM	Water drainage pump
CS	Water level sensor
PMV	Electronic expansion valve
T1	Indoor temp. sensor
T2	Mid-pipe temp. sensor of evaporator
T2B	Outlet temp. sensor of evaporator
XP1-3	Butt connection socket
XS1-3	Butt connection socket
TR	Power transformer

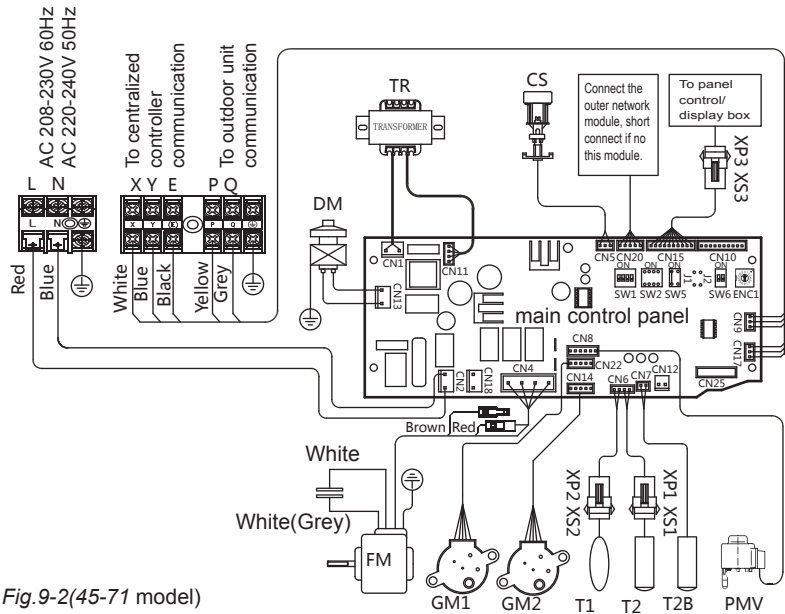


Fig.9-2(45-71 model)

■ The specification of power

Table.9-1

Model(W)		1800~7100
Power	Phase	1-Phase
	Frequency and volt	AC 208-230V 60Hz AC 220-240V 50Hz
Circuit breaker/fuse (A)		5/3
Indoor unit power wiring (mm ²)		2×2.0
Indoor/outdoor connecting wiring (mm ²)	Ground wiring(mm ²)	1×2.0
	Electric signal	3×0.75(Shielded wire)

■ Indoor unit power supply and the signal wire wiring

- The indoor unit power source should not be shared with outdoor unit.
- The indoor units that connect to the same outdoor unit should use the same power source, creepage protector and main switch.

- The indoor power wire should be connected to the L,N terminal , and the indoor/outdoor signal wire should adopt the 2-core screened wire.The indoor/outdoor signal wire should be connected to A,B terminal and should be corresponding with the A,B of the outdoor terminal. Connect the screened layer to (E).

CAUTION

A disconnection device having an air gap contact separation in all active conductors should be incorporated in the fixed wiring according to the National Wiring Regulation.

■ Wiring chart

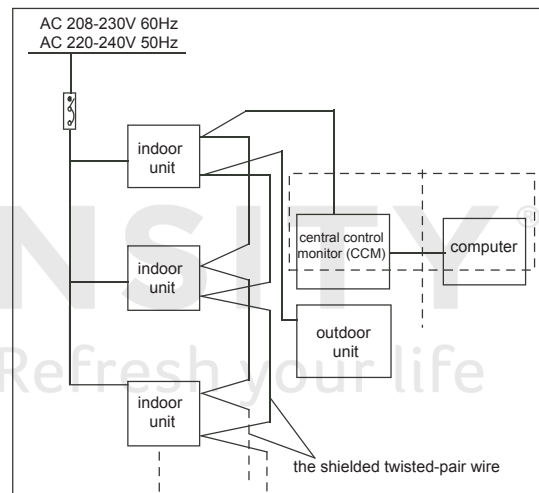


Fig.9-3



CAUTION

The reserved function is indicated in broken line table,users can select it when necessary.

- Terminal board diagram
Please refer to the indoor unit wiring diagram for the wiring.



NOTE

The air-conditioners can connect with Central Control Monitor (CCM). Before operation, please wiring correctly and set system address and network address of indoor units.

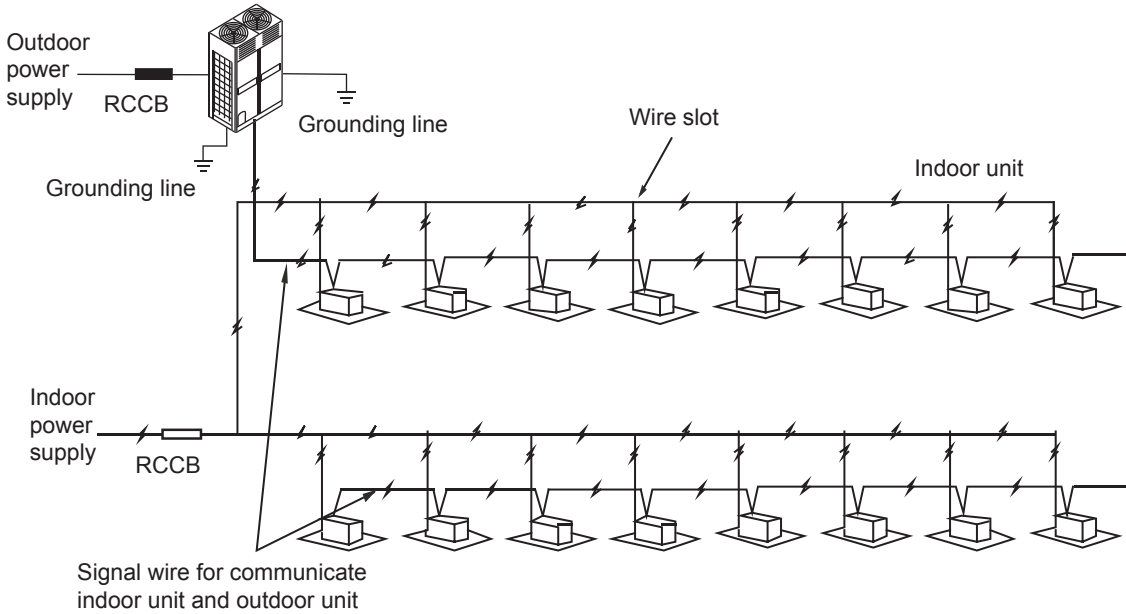
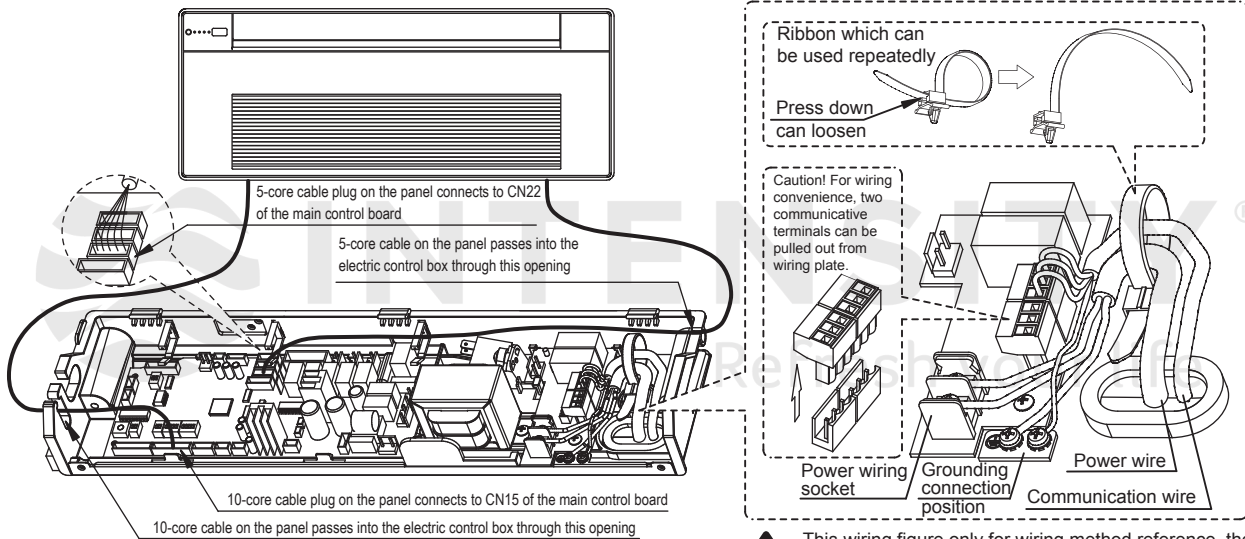


Fig.9-4

Indoor Unit Wiring Guideline



! This wiring figure only for wiring method reference, the actual product may be different with this figure, please subject to the actual product!

Fig.9-5 (18-36model)

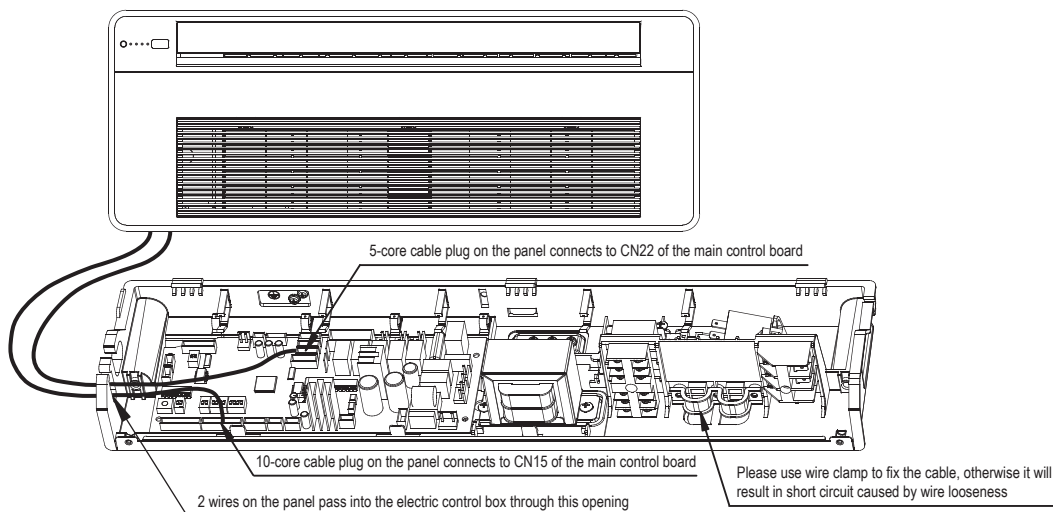


Fig.9-6 (45-71model)

10. CONTROL OPERATION

■ Horsepower set

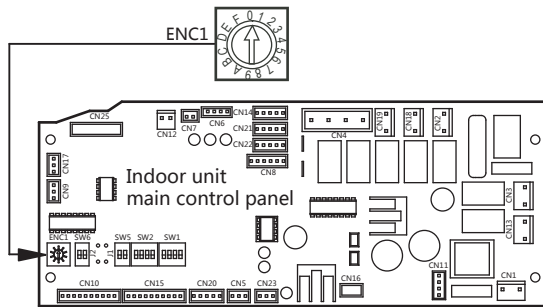


Fig.10-1

Base on different purposes to setting the switch cords on PC panel of indoor electrical control box. Once finish the setting, please cut off the main power, and then input power again, otherwise, setting function could not work.

Table.10-1

HP set switch ENC1 definition list	
Code	Indoor unit capacity value
0	1800W(0.6HP)
0	2200W(0.8HP)
1	2800W(1.0HP)
2	3600W(1.2HP)
3	4500W(1.7HP)
3	5000W(1.8HP)
4	5600W(2.0HP)
4	6300W(2.2HP)
5	7100W(2.5HP)
6	8000W(3.0HP)
7	9000W(3.2HP)
8	11200W(4.0HP)
9	14000W(5.0HP)



CAUTION



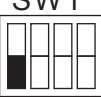









- The system together have 64units(0-63),everyone has only system address code.If two addresses are the same in one system , the abnormal operation will occur.
- Please switch off the power before setting,otherwise the unexpected error will occur.

■ Network address set

- Network address is set by communication of indoor and outdoor unit; the address is the same as indoor address, there is no need to set separately.
- The central control of indoor units can be done on outdoor unit, there is no need to control indoor unit separately, for details please refer to V4+ outdoor unit manual.

For previous control of indoor units, the network can be set by connecting (X,Y,E) terminals, there is no need to set network address. The network can also be set by outer network module and main board (CN20).

■ Main board Code designation

<p>0/1 definition of each dial code switch:</p> <p>ON  means 0 ON  means 1</p>			
<p>ON  SW1 1234</p>	<ul style="list-style-type: none"> • 1 means factory test mode • 2 means auto-addressing mode (Factory default is 0) 	<p>ON  SW1 1234</p>	<ul style="list-style-type: none"> • Reserved (Factory default is 0)
<p>ON  SW2 1234</p>	<ul style="list-style-type: none"> • 00 means shutting down the unit to "stop cold air" at 15°C(default) • 01 means shutting down the unit to "stop cold air" at 20°C • 10 means shutting down the unit to "stop cold air" at 24°C • 11 means shutting down the unit to "stop cold air" at 26°C 	<p>ON  SW2 1234</p>	<ul style="list-style-type: none"> • 00 means the time of stopping indoor fan is 4 mintue (default) • 01 means the time of stopping indoor fan is 8 mintue • 10 means the time of stopping indoor fan is 12 mintue • 11 means the time of stopping indoor fan is 16 mintue
<p>ON  SW5 12</p>	<ul style="list-style-type: none"> • 00 means temp. compensation value is 6°C under heat mode (default) • 01 means temp. compensation value is 2°C under heat mode • 10 means temp. compensation value is 4°C under heat mode • 11 means temp. compensation value is 8°C under heat mode 		
<p>ON  SW6 12</p>	<ul style="list-style-type: none"> • 1 means old display panel • 0 means new display panel 	<p>ON  SW6 12</p>	<ul style="list-style-type: none"> • Reserved (Factory default is 0)
<p>J1 </p>	<ul style="list-style-type: none"> • Not wire jumper means has power-off memory (Factroy default) • Has wire jumper means no power-off memory 	<p>J2 </p>	<ul style="list-style-type: none"> • Reserved

11. TEST OPERATION

- The test operation must be carried out after the entire installation has been completed.
- Please confirm the following points before the test operation:
 - The indoor unit and outdoor unit are installed properly.
 - Tubing and wiring are correctly completed.
 - The refrigerant pipe system is leakage-checked.
 - The drainage is unimpeded.
 - The heating insulation works well.
 - The ground wiring is connected correctly.
 - The length of the tubing and the added stow capacity of the refrigerant have been recorded.
 - The power voltage fits the rated voltage of the air conditioner.
 - There is no obstacle at the outlet and inlet of the outdoor and indoor and indoor units.
 - The gas-side and liquid-side stop valves are both opened.
 - The air conditioner is pre-heated by turning on the power.
- According to the user's requirement, install the remote controller frame where the remote controller's signal can reach the indoor unit smoothly.
- Test operation
 - Set the air conditioner under the mode of "COOLING" with the remote controller, and check the following points per the "Owner's Manual". If there is any malfunction, please resolve it through chapter "Troubles And Causes" in the "Owner's Manual".
 - The indoor unit
 - Whether the switch on the remote controller works well.
 - Whether the buttons on the remote controller works well.
 - Whether the air flow louver moves normally.
 - Whether the room temperature is adjusted well.
 - Whether the indicator lights normally.
 - Whether the temporary buttons works well.
 - Whether the drainage is normal.
 - Whether there is vibration or abnormal noise during operation.
 - Whether the air conditioner heats well in the case of the HEATING/COOLING type.
 - The outdoor unit
 - Whether there is vibration or abnormal noise during operation.
 - Whether the generated wind, noise, or condensed water by the air conditioner have influenced your neighborhood.
 - Whether any of the refrigerant is leaked.



CAUTION

A protection feature prevents the air conditioner from being activated for approximately 3 minutes when it is restarted immediately after shut off.

INTENSITY[®]
Refresh your life